

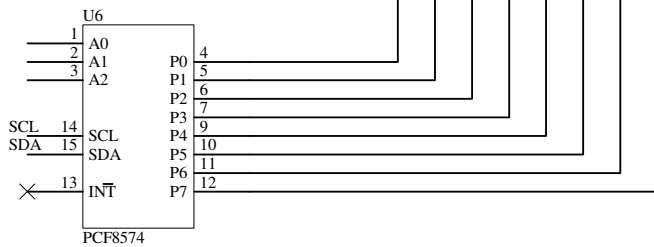
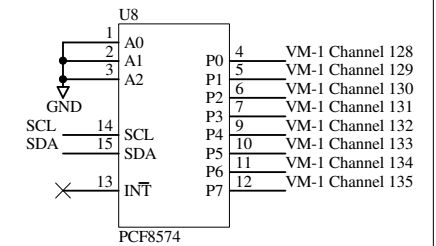
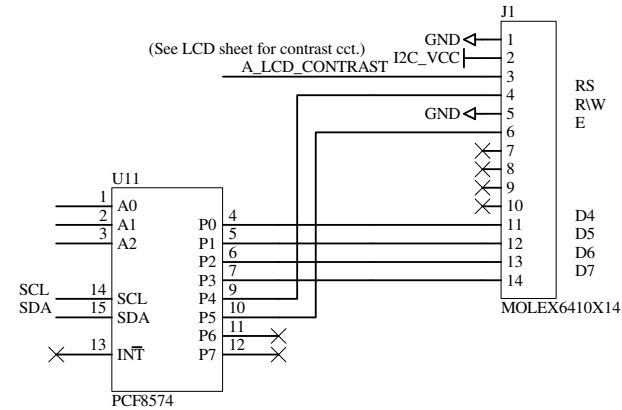
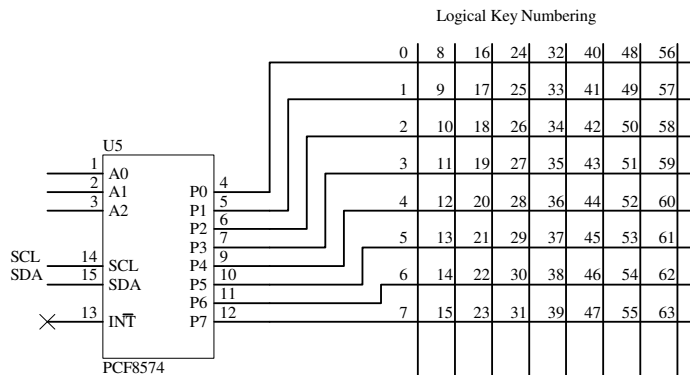
Choose the address inputs to set the Venom channel numbers on the PCF8574.

Address Bits 2, 1 & 0 under column '210'

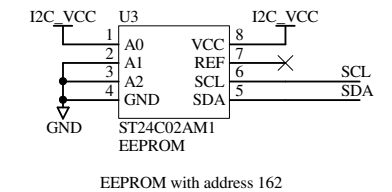
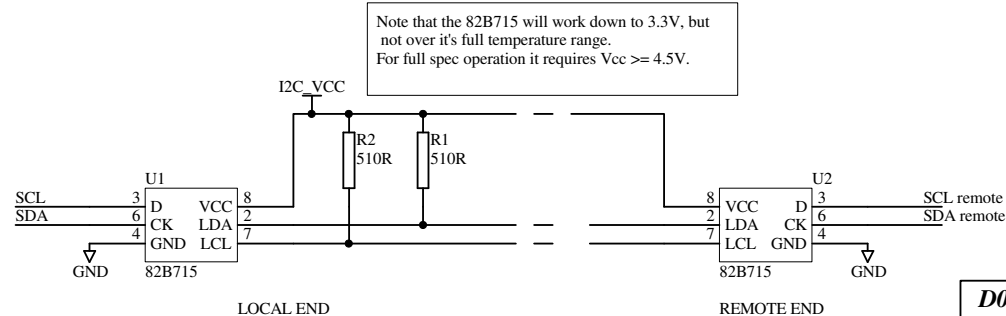
AAA	Bus 1	Bus 2
000	128 - 135	384 - 391
001	136 - 143	392 - 399
010	144 - 151	400 - 407
011	152 - 159	408 - 415
100	160 - 167	416 - 423
101	168 - 175	424 - 431
110	176 - 183	432 - 439
111	184 - 191	440 - 447

PCF8574A:

000	192 - 199	448 - 455
001	200 - 207	456 - 463
010	208 - 215	464 - 471
011	216 - 223	472 - 479
100	224 - 231	480 - 487
101	232 - 239	488 - 495
110	240 - 247	496 - 503
111	248 - 255	504 - 511



8 x 8 Keypad on an I2C Bus (Type 1)



D004 IIC Buses		Micro-Robotics Ltd. The Old Maltings 135 Ditton Walk Cambridge CB5 8QB Tel. +44 (0) 1223 523100
Revision:		
Date: 8-Oct-2012	14:45:37	
Sheet 1	of 1	
File: S:\data\VM Doen\VM2\VM2 Useful Cts\Sch general I2C.sch		