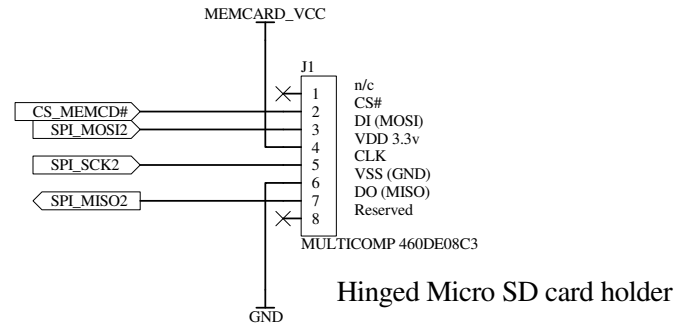


Circuit for attaching a fixed microSD card. 'Fixed' means that card may be removed but the Filesystem object must be Flushed before removing the card, and Reset before replacing the card. This implies that there is a user interface to inform the application program of the card removal. There is no 'in use' indicator LED, nor card detected nor write protect switch inputs.



If you only have one device attached to the SPI bus then you don't need the decoding circuit below. Just connect SPI_CS2 to the card's CS# input.

