

Analogue I/O Port

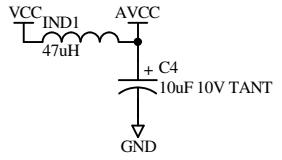
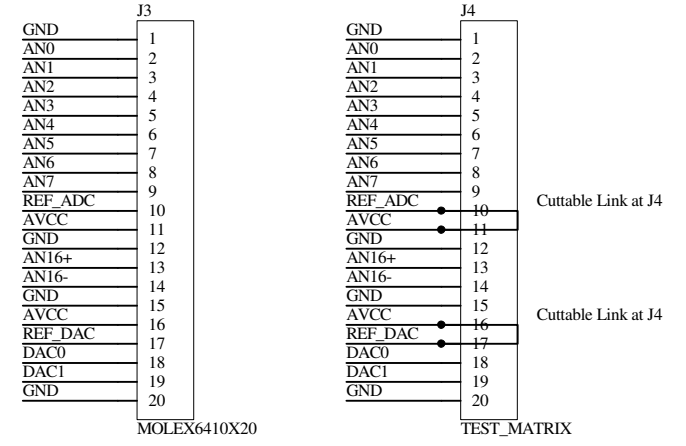
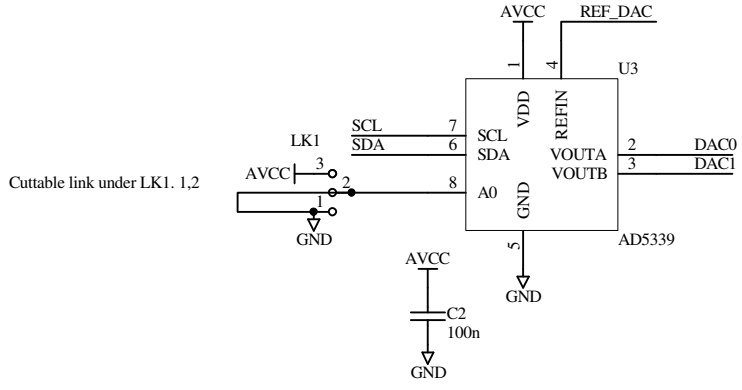
Copyright Micro-Robotics 2008

I2C Addressing:

AD5339 Address:
0001 10A0 == \$18, \$1A. == 24, 26.

AD7998-0 Address:
xx = 00, 01, 10
0100 0xx0 == \$40, \$42, \$44. == 64, 66, 68.

MC3421 A0 Address:
1101 0000 == \$D0 == 208.



I2C Bus

